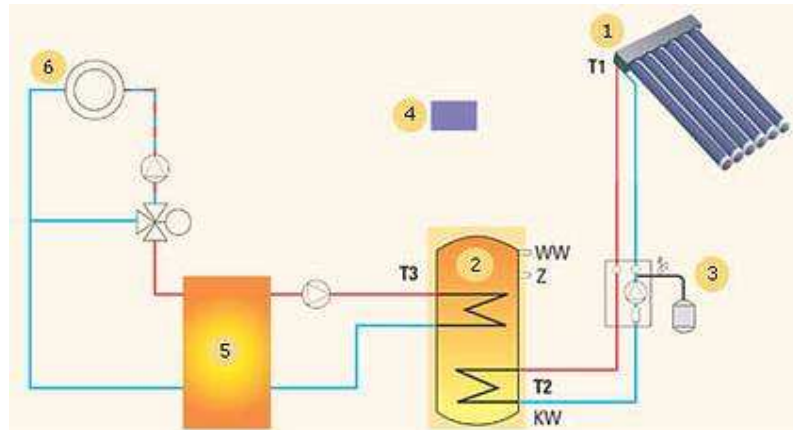


### Home Energy Solar Hot Water

- 1 Vacuum tube collector
- 2 Multiple layer boiler
- 3 Pump group
- 4 Solar management system
- 5 Central heating boiler
- 6 Heat cycle



### Home Energy Solar Hot Water & Central Heating

- 1 Vacuum tube collector
- 2 Multiple layer boiler
- 3 Pump group
- 4 Solar management system
- 5 Central heating boiler
- 6 Heat cycle

