



Home Energy Pellet Biomass heating systems

Pellet Bio CV 10 – Pellet Bio CV 20 / 30 – Pellet Bio CV 45 / 60

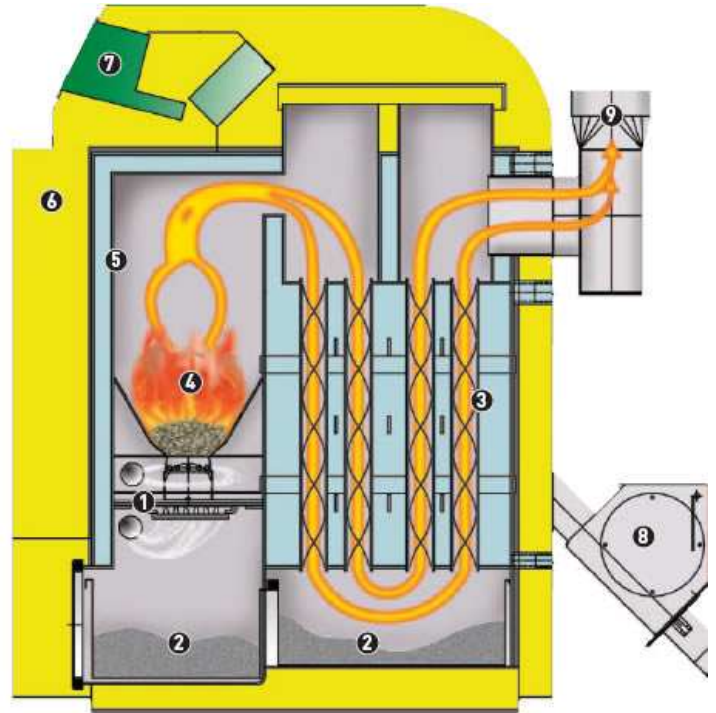


Your choice



Home Energy Pellet Bio CV system:

- ✓ Easy and convenient operation
- ✓ Fully automatic cleaning system
- ✓ Large ash-pan provides for less frequent cleaning intervals
- ✓ Central control unit for:
 - Heating system control
 - Hot water supply
 - Control unit to increase the return flow temperature
 - Fuel buffer storage control
 - Solar system control
 - Clear LCD display
 - Easy operation
- ✓ Combustion control
Lambda probe provides energy saving fuel consumption and continuously clean combustion
- ✓ Modern design
- ✓ Low space requirement



1. Pivoting grate for automatic grate cleaning
2. Large ash-pan, accessible from the front
3. Self cleaning flue channels
4. High-temperature resistant burner chamber
5. Boiler body made of high grade steel sheet metal; welded, pressure tested and fully mounted
6. Low radiation loss with optimum insulation
7. Control and operating unit
8. Burn – back safety device for fire control BSD

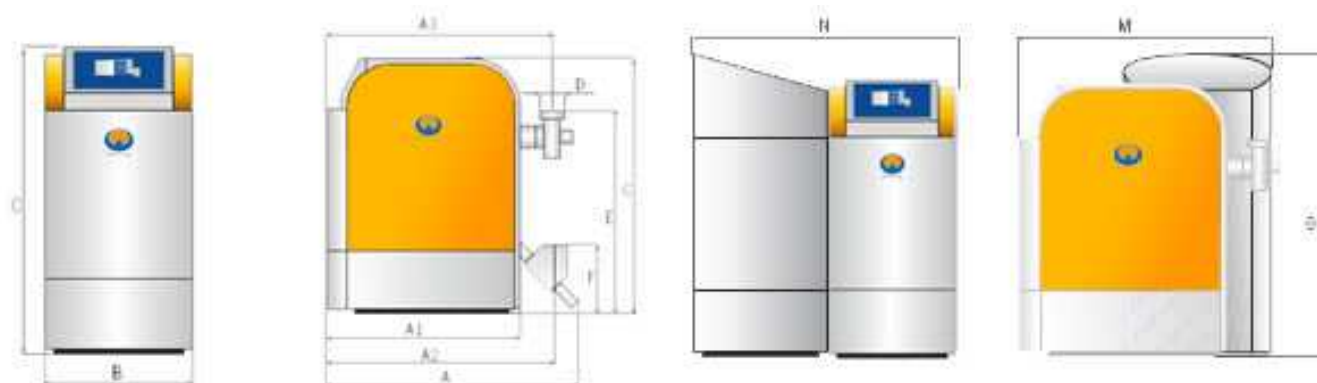
Your choice



The Home Energy Biomass heating system performs with highest efficiency!

Technical specifications		10	20	30	45	60
Output range	kW	2,9 – 12,1	5,3 – 20	6,4 – 31,6	11,8 – 47	11,8 - 62
Boiler weight	kg	261	310	310	518	518
Max. Permissible feed pressure	mbar	0,10	0,10	0,10	0,10	0,10
Permissible operating pressure	bar	3,0	3,0	3,0	3,0	3,0
Max. Permissible flow temperature	°C	95	95	95	95	95
Water capacity	L	55	76	76	178	178
Electrical supply	V/ Hz	230 / 50	230 / 50	230 / 50	230 / 50	230 / 50

Technical modifications are reserved



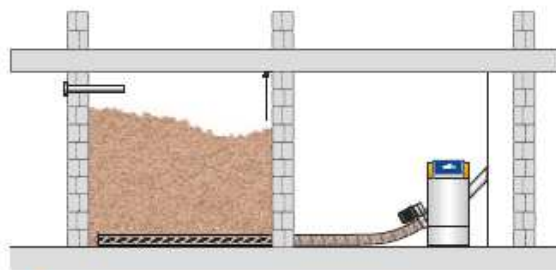
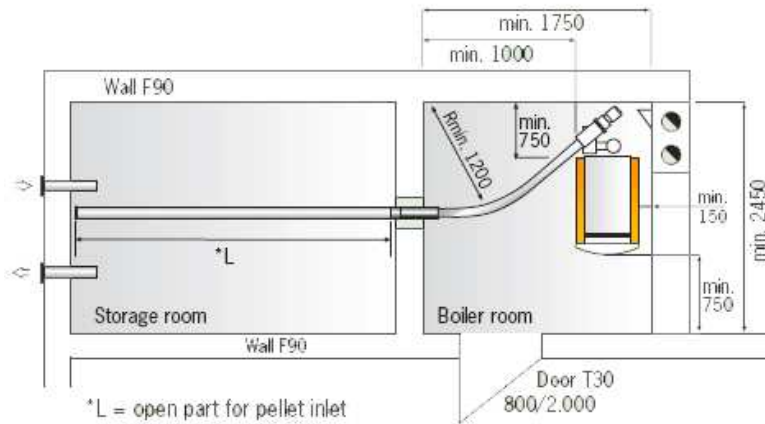
Dimensions (mm)		10	20	30	45	60
A	Length overall	1315	1315	1315	1560	1560
A1	Length boiler	865	940	940	1160	1160
A2	Length boiler plus distance to BSD centre line	1120	1120	1120	1400	1400
A3	Length boiler plus distance to flue pipe centre line	955	1030	1030	1300	1300
B	Width (maximum for access)	590	590	590	750	750
C	Height	1168	1268	1268	1480	1480
D	Smoke flue diameter	130	130	130	150	150
E	Height to flue pipe top edge	925	1025	1025	1300	1300
F	Height to BSD top edge	435	435	435	480	480
G	Height to flow connection (1")	891	991	991	1200	1200
H	Height to return flow connection (1")	701	801	801	1015	1015
J	Height to feed and drain connection (1/2")	264	264	264	264	264



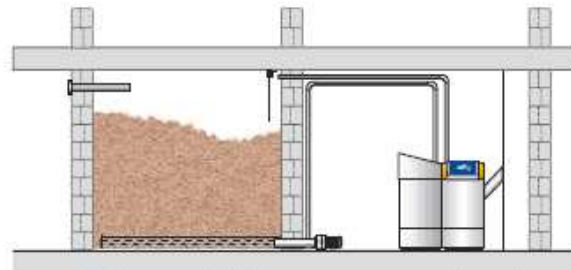
Your choice

Flexible and safe fuel transport systems

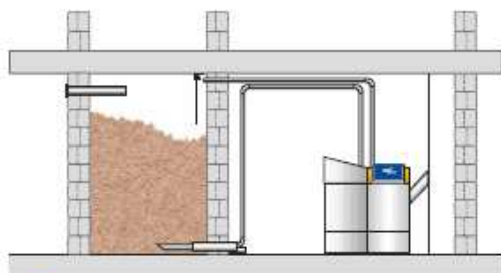
Dimensions with additional tank (mm)		10	20	30	45	60
M	Overall length	1375	1450	1450	1470	1470
N	Overall width	1190	1190	1190	1270	1270
O	Height	1328	1428	1428	1730	1730



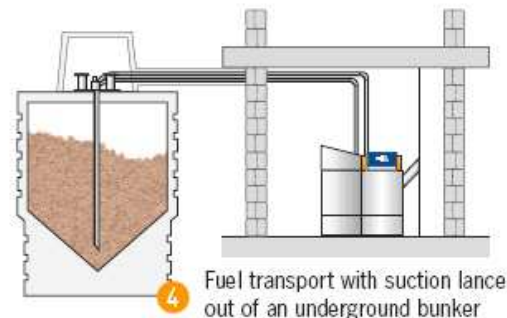
1 Fuel transport with flexible screw conveyor



2 Fuel transport with screw conveyor and suction lance



3 Fuel transport with suction lance



4 Fuel transport with suction lance out of an underground bunker



Your choice